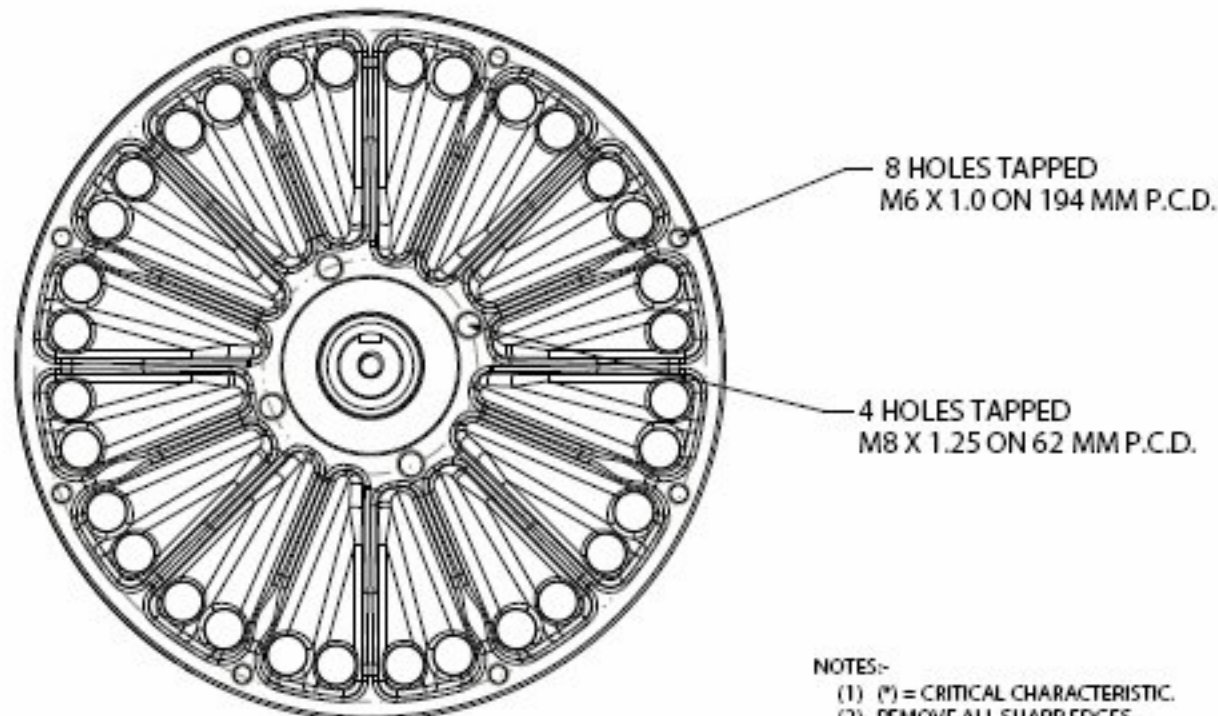
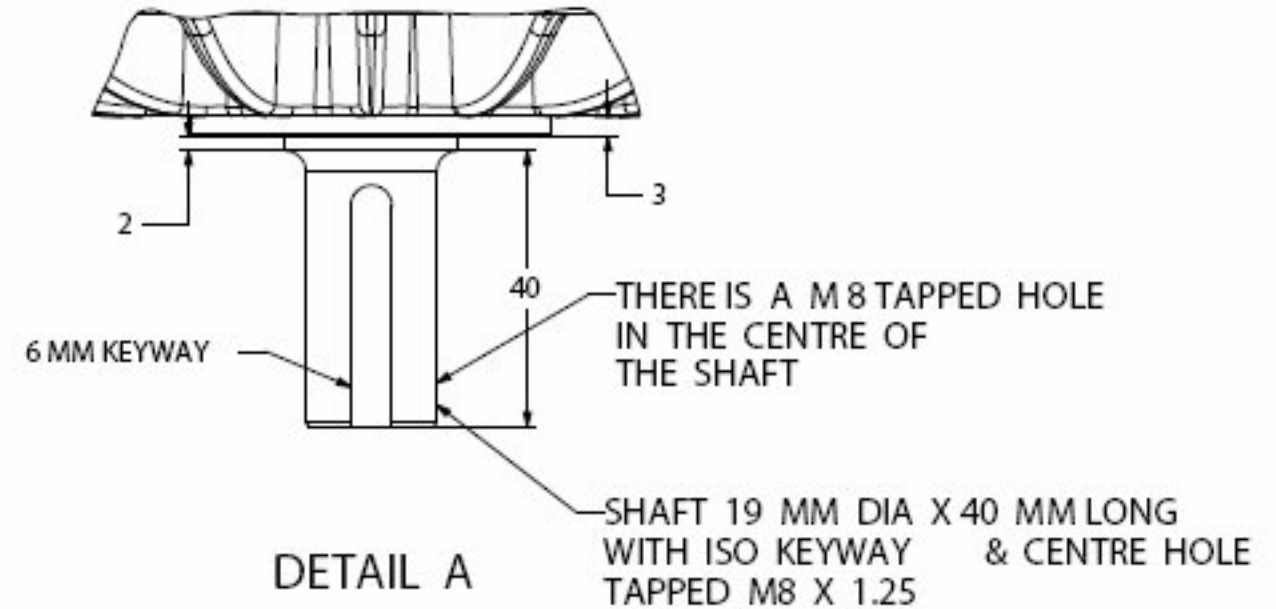
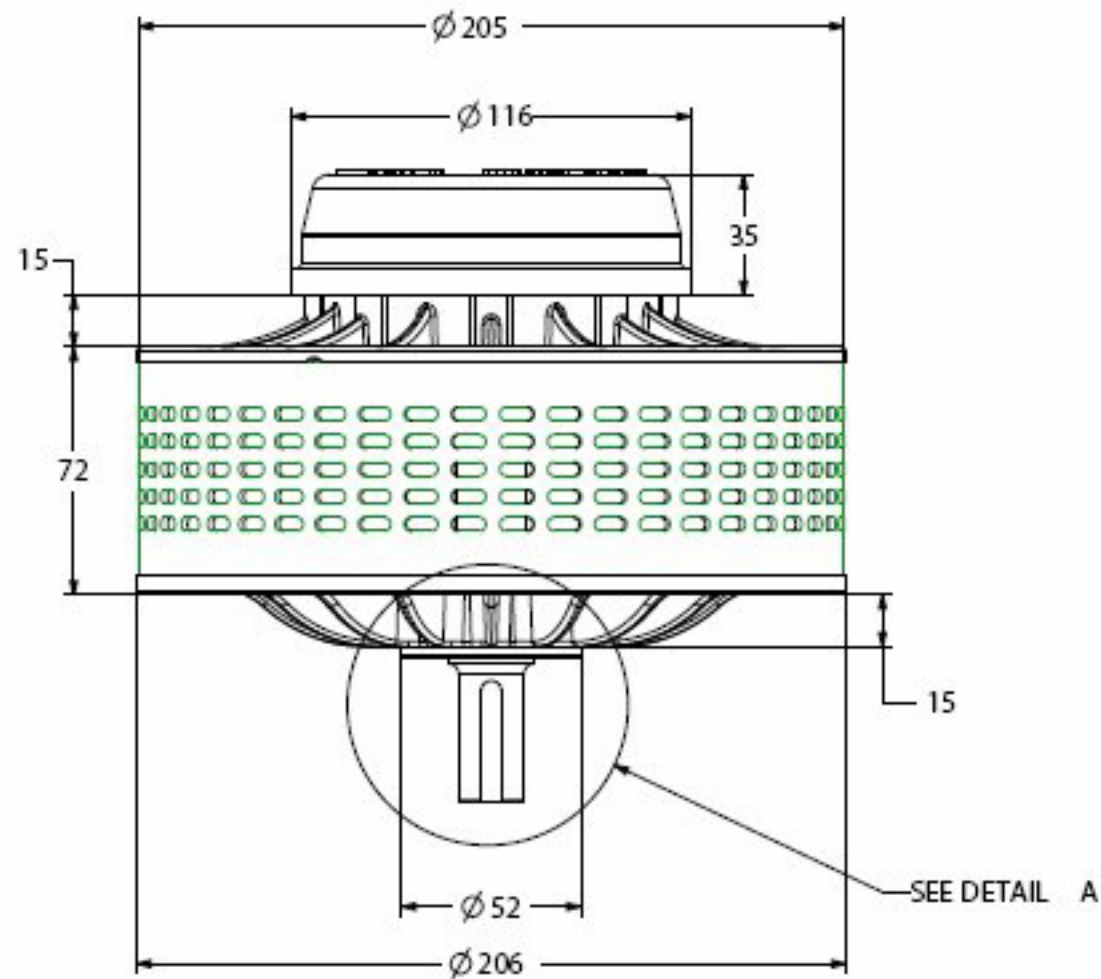


95 / 95R MOTOR



- NOTES:-
- (*) = CRITICAL CHARACTERISTIC.
 - REMOVE ALL SHARP EDGES.
 - ALL DIMENSIONS ARE IN mm.

Weight: 11kg

SAIETTA